

Pump group SMT 125 - DN 32 (1 1/4") - with rotary mixing valve



Compact mixing group **SMT 125 - DN 32** is equipped with a brass three-way mixing valve **MIX MT 32**, two brass ball valves with thermometers supply and return (with built-in check valve) steel connector and insulation. **MIX MT** mixing valve is equipped with a bypass. On requests group can be equipped with a pump **Grundfos** or **Wilo**. Additionally to ensure automatic operation of the mixing valve must be equipped with an actuator **MP 10 - 10 Nm**.

WARNING! Group comes from the supply side to the right. Sides can be switched.

Technical data:

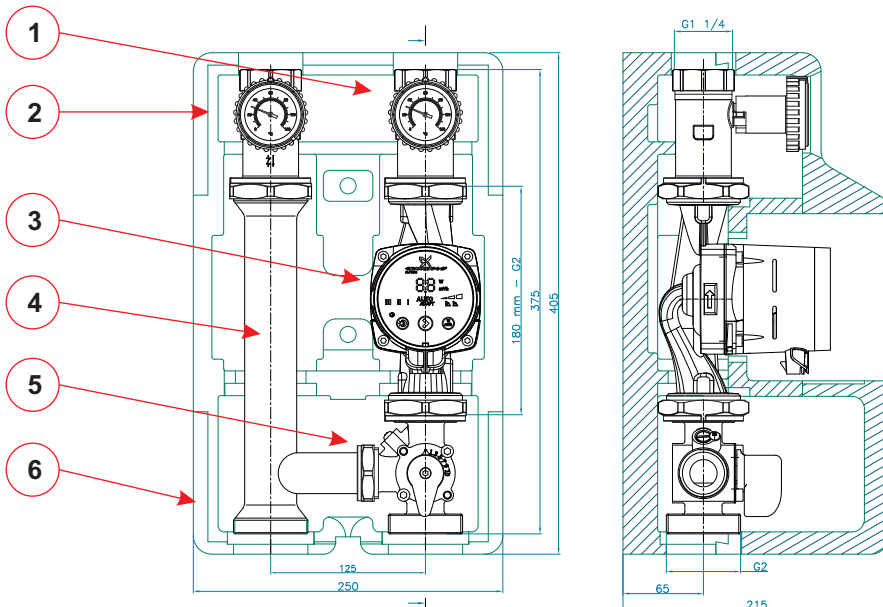
Max pressure:	8 bar
Max temperature:	110 °C
Insulation material:	EPP black 60g/l
Axle spacing:	125 mm
Gaskets material:	VITON/EPDM
Connections:	Installation side: 1" 1/4 F Boiler side: 2" M
Installation length of pump:	180 mm
Connection of the pump:	2" M

Type	Catalog number
Pump group SMT 125 - DN 32 (1 1/4") with insulation, without pump	607061
Pump group SMT 125 - DN 32 (1 1/4") with insulation, with pump Wilo Yonos Pico 30/1-6	607168
Pump group SMT 125 - DN 32 (1 1/4") with insulation, with pump Wilo Yonos Pico 30/1-8	607169
Pump group SMT 125 - DN 32 (1 1/4") with insulation, with pump Wilo Yonos Para 30/6	607066
Pump group SMT 125 - DN 32 (1 1/4") with insulation, with pump Wilo Yonos Para 30/8	607067
Pump group SMT 125 - DN 32 (1 1/4") with insulation, with pump Grundfos Alpha 2 32 - 60	607064
Pump group SMT 125 - DN 32 (1 1/4") with insulation, with pump Grundfos Alpha 1 L 32-60	607065

Pump group with pumps:



Wilo Yonos Para Wilo Yonos Pico Grundfos Alpha 2 Grundfos Alpha 1L



1. Supply ball valve with a thermometer 0-120 OC with a red handle.
2. Return ball valve with a thermometer 0-120 OC with a non-return valve, with a blue handle.
3. Circulation pump (option) from Grundfos or WILO.
4. 280mm steel spacer.
5. MIX MT 32 3-way mixing valve with bypass.
6. EPP insulation.